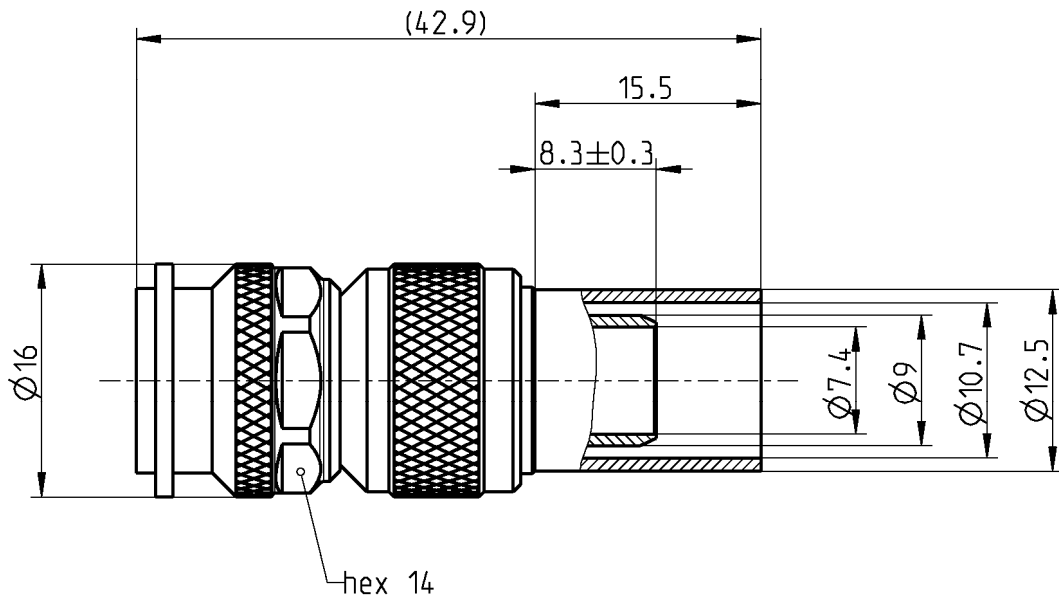
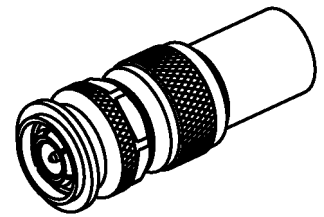


TNC 50  
Ω

STRAIGHT PLUG

56S101-115N5



All dimensions are in mm; tolerances according to ISO 2768 m-H

**Interface**

According to IEC 60169-17, MIL-PRF-39012, DIN EN 122200

**Documents**

Assembly instruction 51 0

**Material and plating**

**Connector parts**

Center contact  
Outer contact  
Body  
Dielectric  
Gasket  
Crimping ferrule

**Material**

Brass  
Brass  
Brass  
PTFE  
NeopreneCR 50C6  
Copper

**Plating**

AuroDur®, gold plated  
Flash white bronze over silver(e.g. Optargen®)  
Flash white bronze over silver(e.g. Optargen®)  
Flash white bronze over silver(e.g. Optargen®)

TNC 50  
 $\Omega$ 

STRAIGHT PLUG

56S101-115N5

**Electrical data**

Impedance	50 $\Omega$
Frequency	DC to 10 GHz
Return loss	$\geq 30$ dB, DC to 1 GHz $\geq 20$ dB, 1 to 2 GHz $\geq 16$ dB, 2 to 6 GHz
Insertion loss	$\leq 0.05 \times \sqrt{f \text{ [GHz]}}$ dB, DC to 6 GHz
Insulation resistance	$\geq 5 \times 10^3$ M $\Omega$
Center contact resistance	$\leq 1.5$ m $\Omega$
Outer contact resistance	$\leq 1$ m $\Omega$
Test voltage	1500 V rms
Working voltage	500 V rms
Power handling (at 20 °C, sea level, VSWR 1.0)	$\leq 80$ W @ 2 GHz

*- Limitations are possible due to the used cable type -***Mechanical data**

Mating cycles	min. 500
Coupling test torque	max. 1.7 Nm
Recommended torque	0.46 Nm to 0.69 Nm

**Environmental data**

Temperature range	-65°C to +165°C
Thermal shock	MIL-STD-202, Meth. 107, Cond. B
Corrosion	MIL-STD-202, Meth. 101, Cond. B
Vibration	MIL-STD-202, Meth. 204, Cond. B
Shock	MIL-STD-202, Meth. 213, Cond. G
Moisture resistance	MIL-STD-202, Meth. 106
RoHS	compliant

**Tooling**

Crimping tool	11W150-000
Crimp insert	11W150-215

**Suitable cables**

RG 213 /U

**Weight**

Weight	30.7 g/pce
--------	------------

While the information has been carefully compiled to the best of our knowledge, nothing is intended as representation or warranty on our part and no statement herein shall be construed as recommendation to infringe existing patents. In the effort to improve our products, we reserve the right to make changes judged to be necessary.

Draft	Date	Approved	Date	Rev.	Engineering change number	Name	Date
Inge Mühlauer	10/08/04	Sa. Krautenbacher	20.03.14	d00	14-0352	T. Krojer	20.03.14
Rosenberger Hochfrequenztechnik GmbH & Co. KG P.O.Box 1260 D-84526 Tittmoning Germany <a href="http://www.rosenberger.de">www.rosenberger.de</a>					Tel.: +49 8684 18-0 Fax: +49 8684 18-499 email: <a href="mailto:info@rosenberger.de">info@rosenberger.de</a>		Page 2 / 2